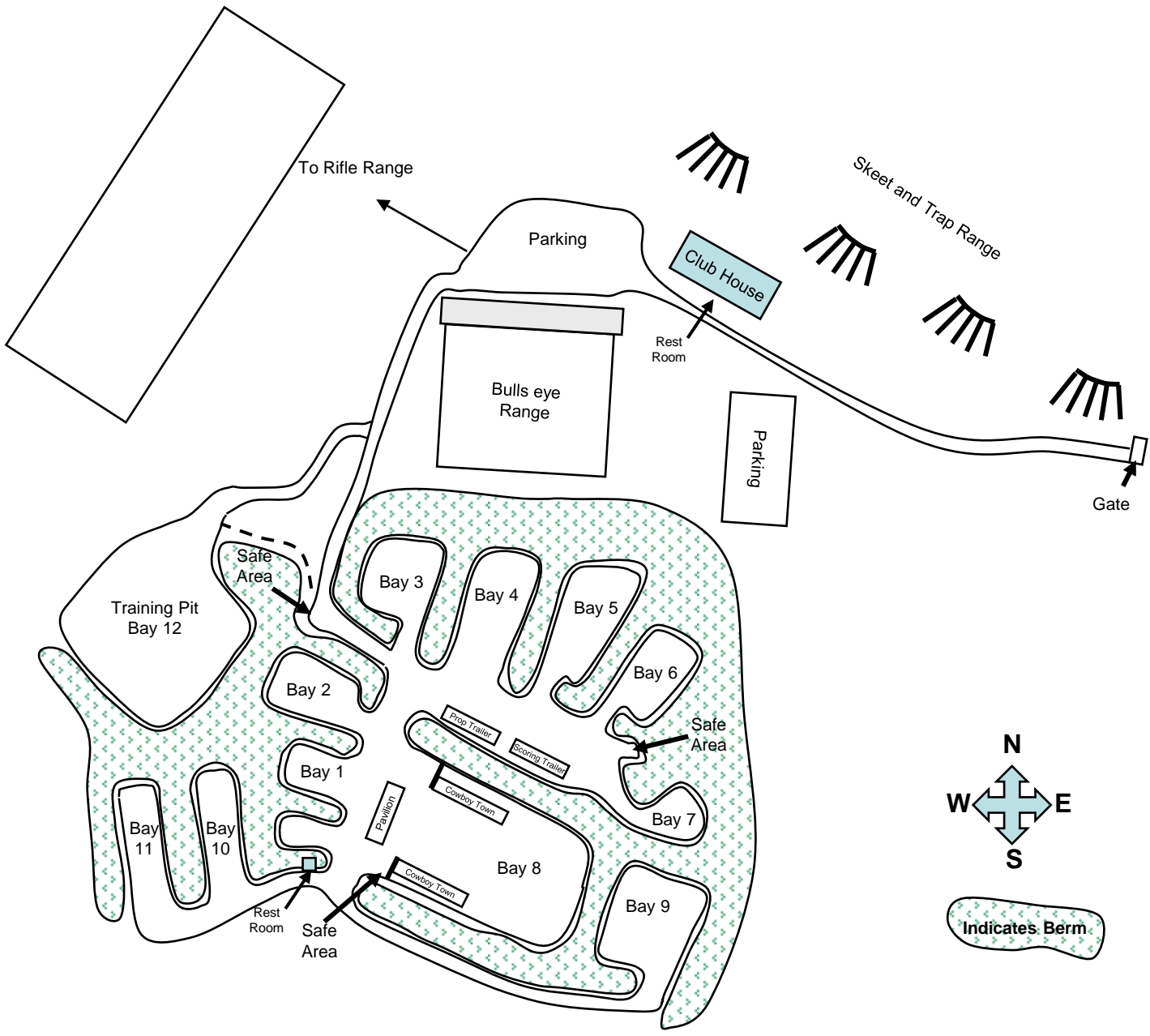




Greater Atlanta Defensive Pistol Association



South River Gun Club Range Map



Stage 1

Stage 1: Standards



Bay 1

Scenario: Standards.

Start Position: Standing at P1 hands by your side. 3 rounds in the gun.

2 rounds in the other 2 magazines

Stage Procedure: On the buzzer, draw and knock down the 3 steel targets

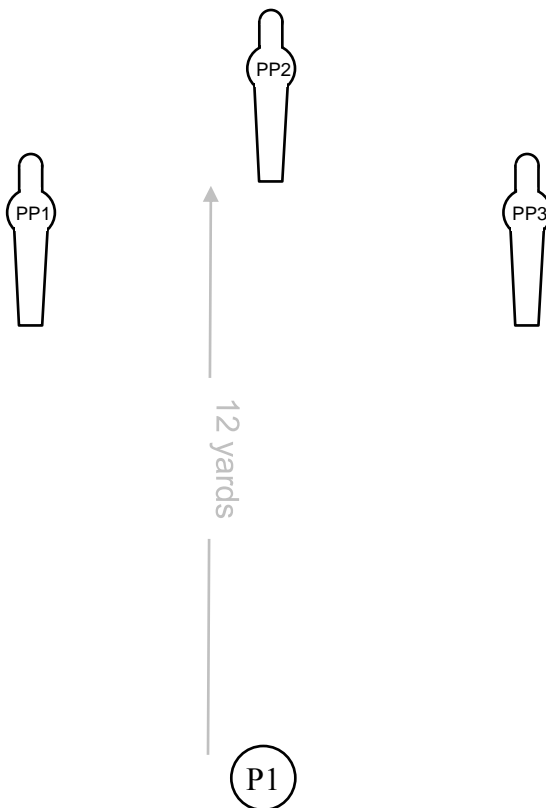
Concealment: Not Required.

Scoring: **Vickers**

Scored Hits: 3 steel must fall.

Targets: 3 Small Pepper Poppers

Penalties: standard, Any steel left standing is -5 and a FTN



COURSE DESIGNER: M. Young

Stage 2

Stage 2: Dirty Laundry



Bay 2

Scenario: Things get dirty at the Laundromat when goons decide they want your chinchilla coat.

Start Position: Standing at P1 hands relaxed by your side

Stage Procedure: On the buzzer, draw and engage T1-T2 freestyle. Go to low cover and engage the remaining threat targets

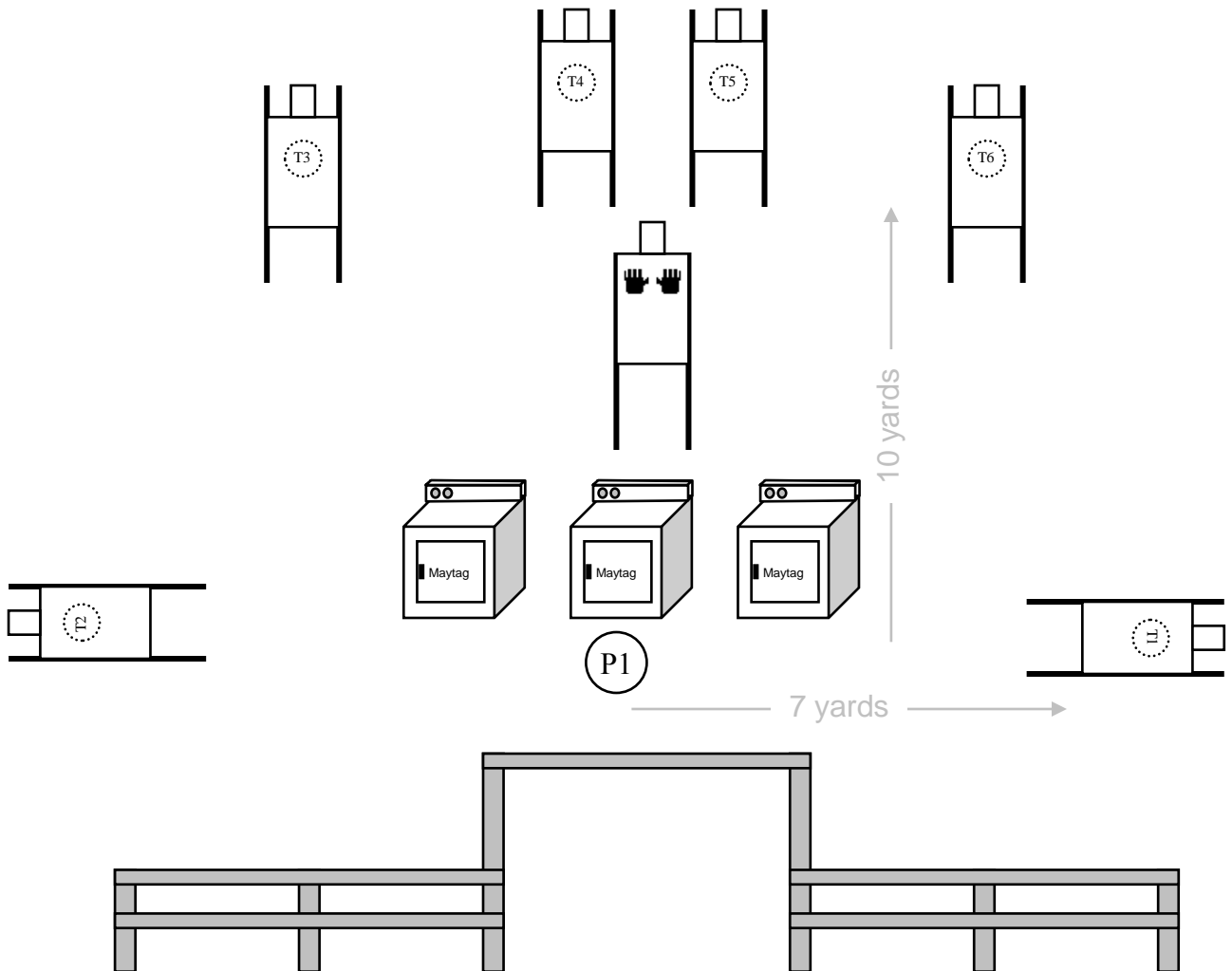
Concealment: Required.

Scoring: Vickers

Scored Hits: 12 rounds, **2 each** on T1-T6

Targets: 6 IDPA

Penalties: standard



COURSE DESIGNER: C. English

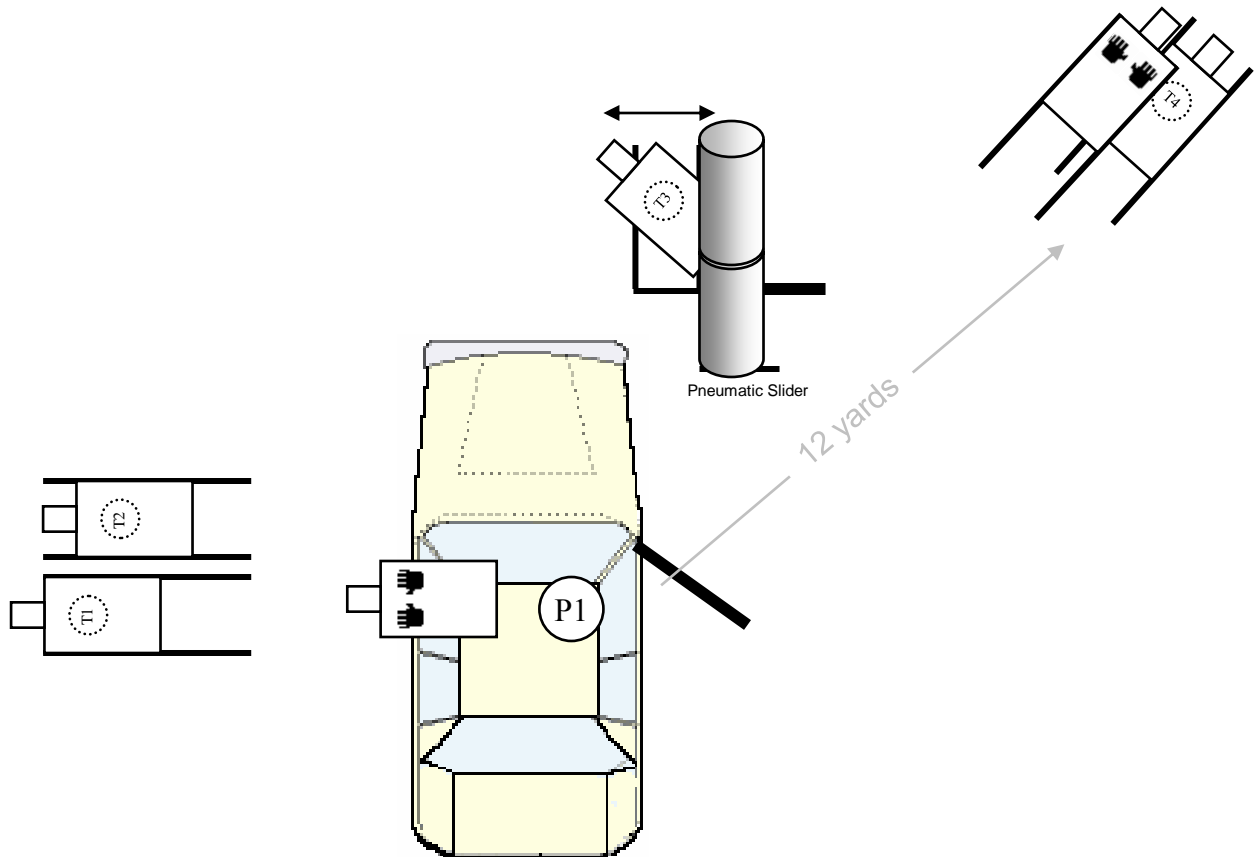
Stage 3

Stage 3: Passenger Problem



Bay 3

- Scenario: You and your wife are attacked at a 4 way stop.
- Start Position: Seated in the passenger seat (P1) with hands on knees, gun between the seats.
- Stage Procedure: On the buzzer, engage T1-T4 from the car. T4 must be engaged last. You may open the door and put your feet on the ground, but may not get out of the car.
- Concealment: Required
- Scoring: Vickers
- Scored Hits: 12 rounds, **3 each** on all targets
- Targets: 4 IDPA
- Penalties: standard



COURSE DESIGNER: C. English

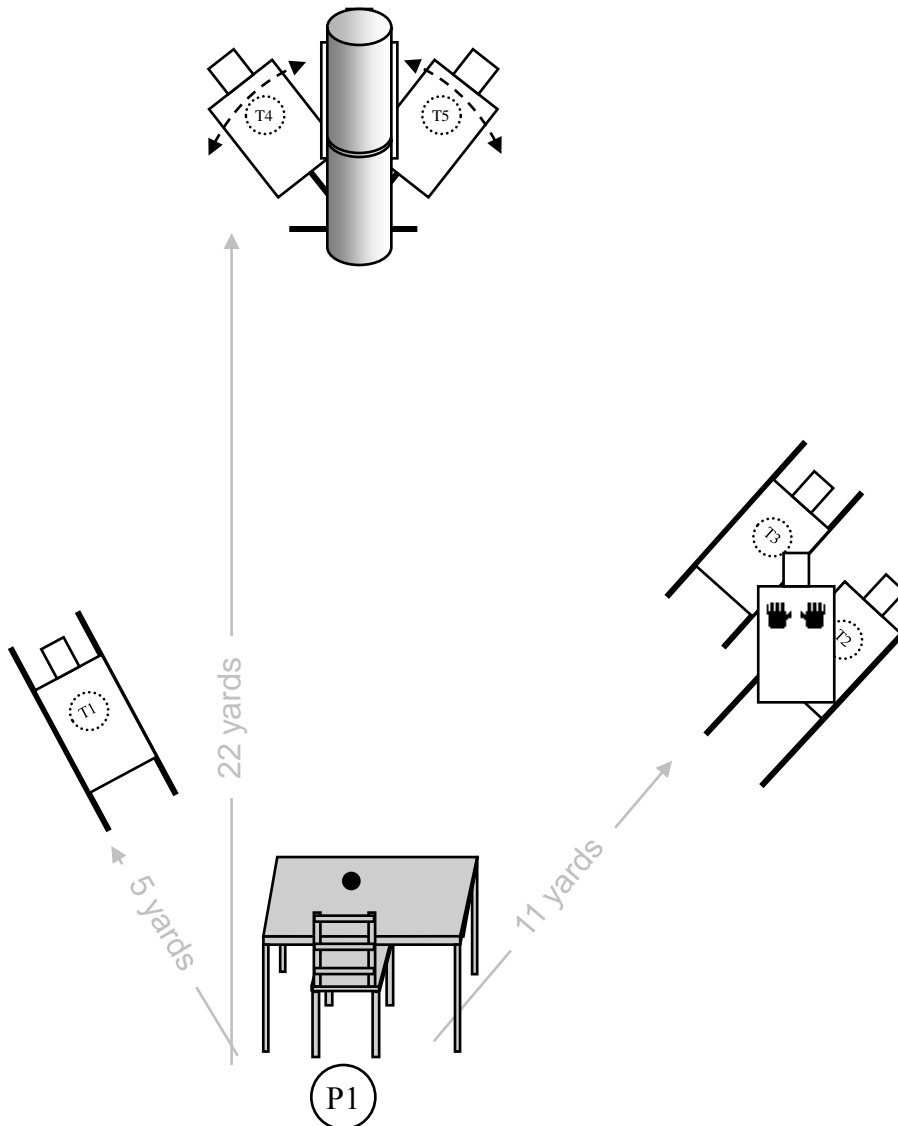
Stage 4

Stage 4: Taco Troubles



Bay 4

- Scenario: While dining at a tacoria, ornery dudes decide to rob the joint. Just when you thought it was over, 2 more appear in the back of the restaurant.
- Start Position: Seated at P1 with your hands on the table.
- Stage Procedure: On the buzzer, draw and engage T1-T3 in tactical priority. Then, hit the button to make the last two targets appear.
- Concealment: Required.
- Scoring: Vickers
- Scored Hits: 15 rounds. **3 each** on T1-T5
- Targets: 5 IDPA
- Penalties: standard



COURSE DESIGNER: C. English

Stage 5

Stage 5: Charge It



Bay 5

Scenario: You are in the checkout lane at the local stop-n-rob, when a gaggle of gang bangers decide they want your charge card.

Start Position: Standing at P1 with hands by your side.

Stage Procedure: On the buzzer, draw and take 1 step backwards to step on the activator. Engage T1-T2 then move to P2 and engage all remaining targets from cover. You must engage T1 with at least 1 round before engaging T2.

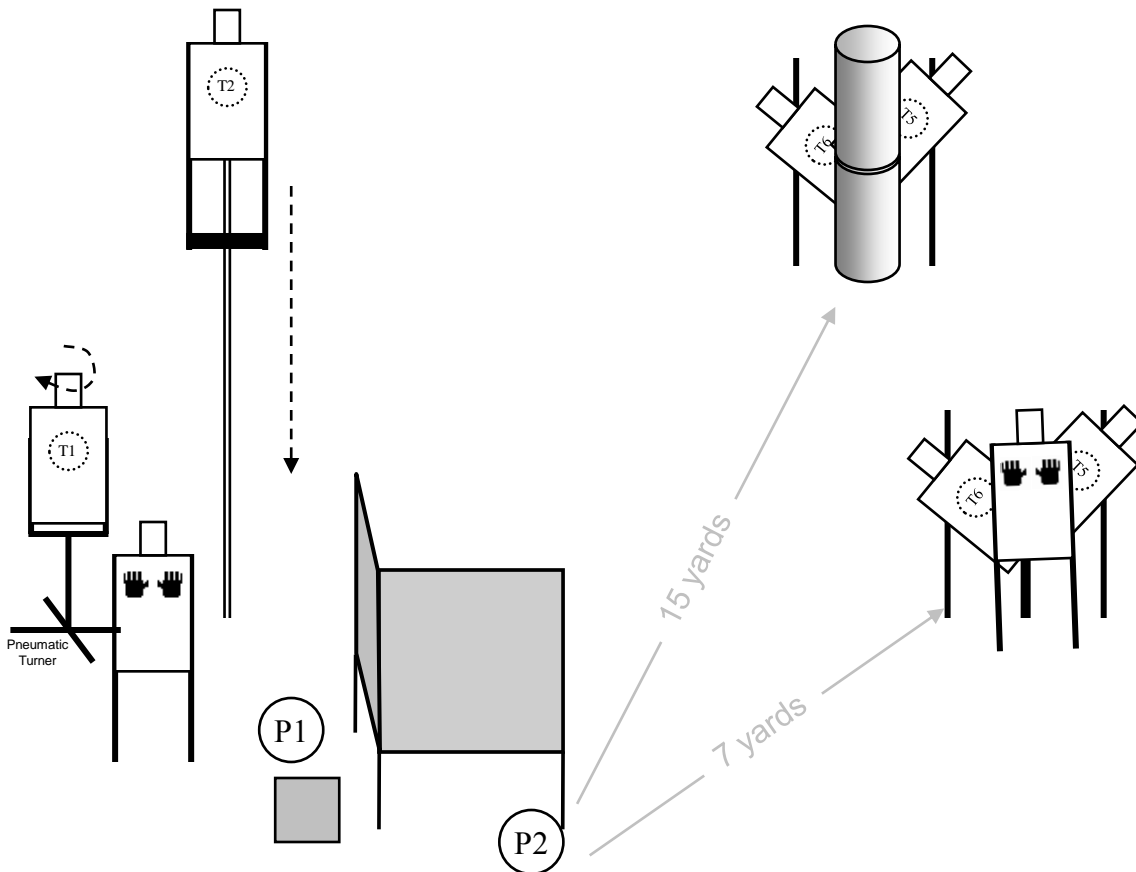
Concealment: Required.

Scoring: Vickers

Scored Hits: 12 rounds. **2 each** on T1-T6.

Targets: 6 IDPA

Penalties: standard



You must engage T1 with at least 1 round before engaging T2.

COURSE DESIGNER: C. English

Stage 6

Stage 6: Under the Bridge



Bay 6

Scenario: While fishing under a bridge, are caught between two rival gangs who are fighting over this piece of turf.

Start Position: Sitting in the chair at P1 with fishing pole in both hands, facing up range.

Stage Procedure: On the buzzer, turn and engage all targets while maintaining cover.

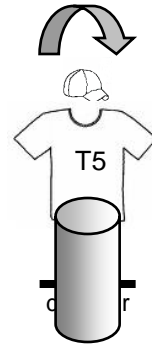
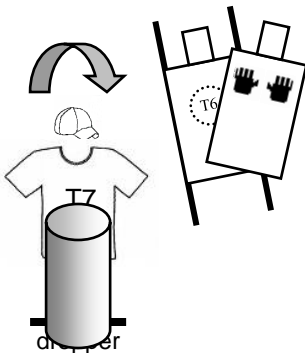
Concealment: Required

Scoring: Vickers

Scored Hits: 12 rounds. **2 each** on paper, steel must fall.

Targets: 5 IDPA, 2 steel

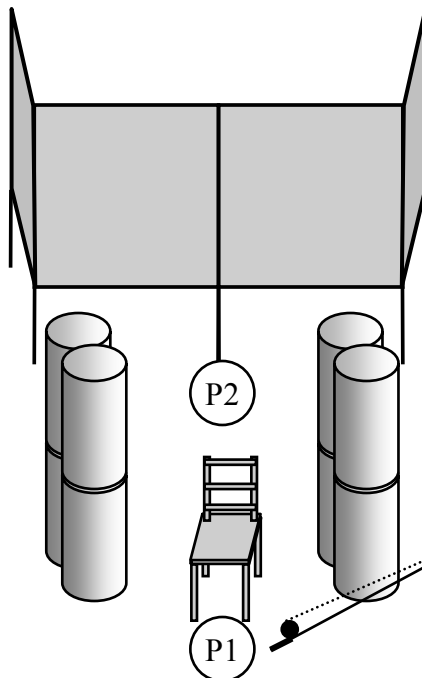
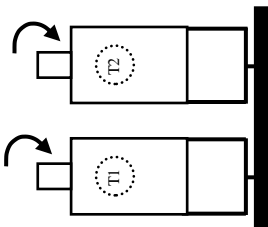
Penalties: standard.



13 yards

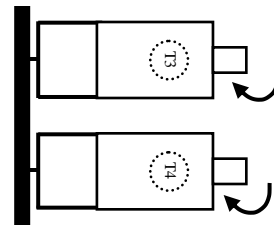
TAC II Configuration

- 1) 3 second delay
- 2) 4 sec display
- 3) 3 sec hide
- 4) 10 sec display



TAC II Configuration

- 1) 7 second delay
- 2) 3 sec display
- 3) 2 sec hide
- 4) 8 sec display



Stage 7

Stage 7: Another Drive-by



Bay 9

Scenario: Drug dealers think you are a narc and decide to take you out.

Start Position: Standing at P1 with your hands on by your side.

Stage Procedure: On the buzzer, engage T1-T2 as they drive by. Then engage the other targets from cover around the barricades.

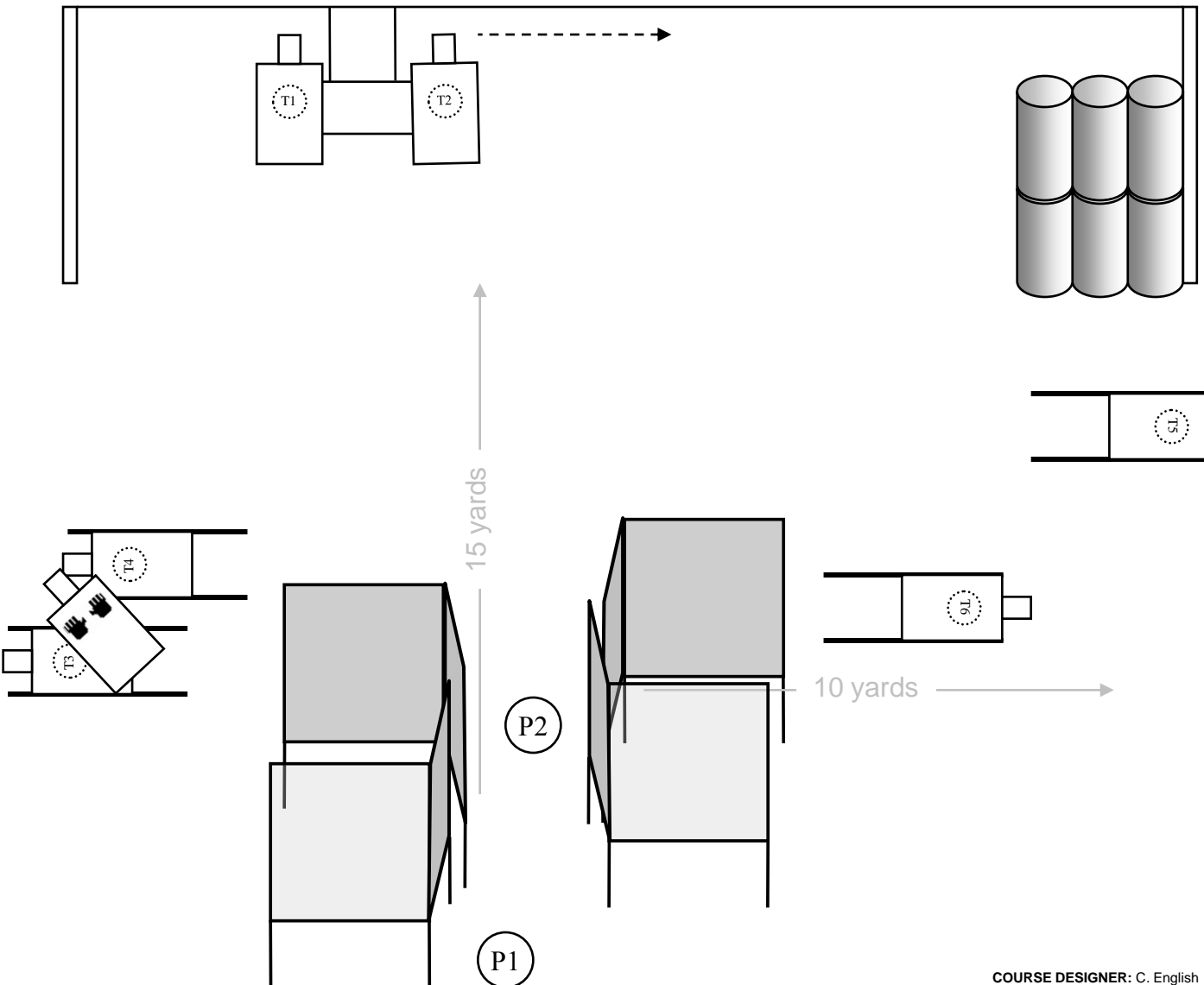
Concealment: Required

Scoring: Vickers

Scored Hits: 18 rounds. **3 each** on T1-T6

Targets: 6 IDPA

Penalties: standard



COURSE DESIGNER: C. English